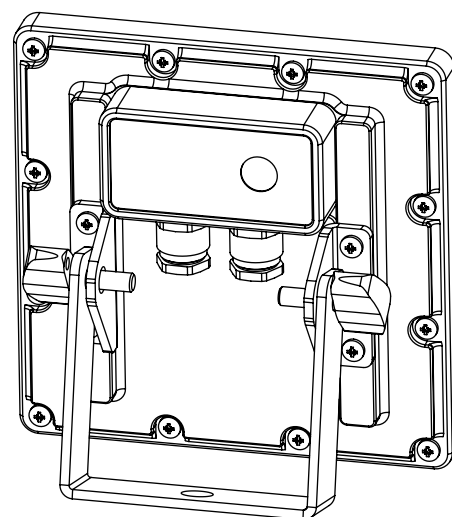
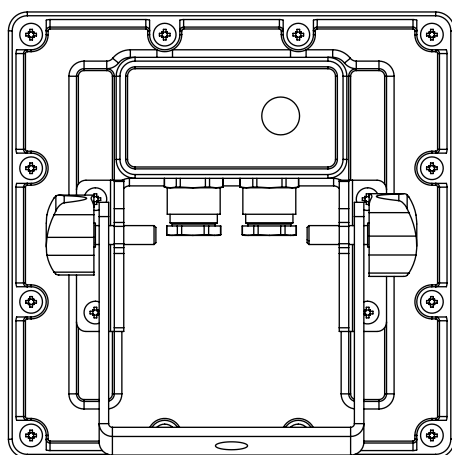
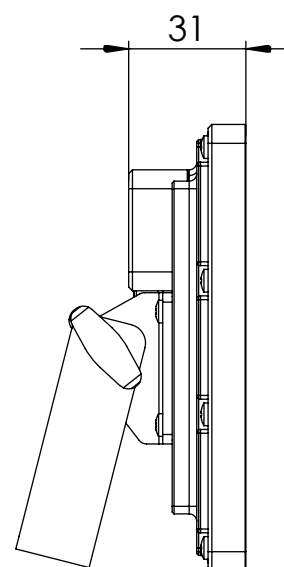
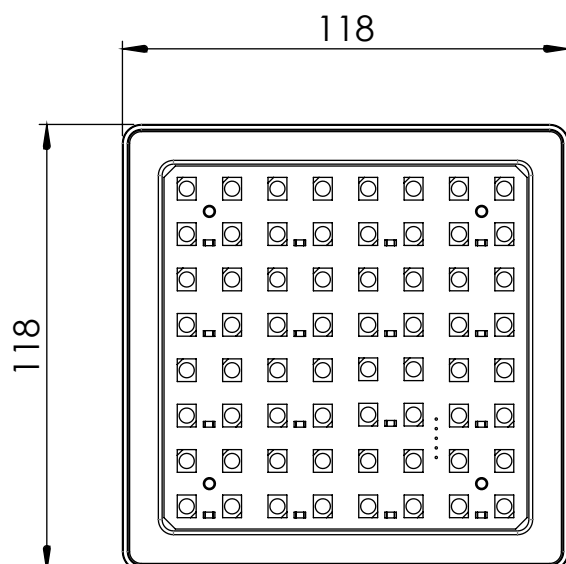




Mozart LED fixture - one of the smallest DMX512 controlled LED fixtures on the market. Due to its size and appearance, Mozart is great to use as a part of scenery. Very compact, low weight, ultra-high refresh rate and bright colors.

LIGHT SOURCE	64 CREE LEDs
PIXELS PER FIXTURE	1, 4, 16
BEAM SPREAD	120°
COLORS	R, G, B
AVERAGE COLOR WAVELENGTH	(Red: 625 nm, Green: 530 nm, Blue: 460 nm)
REFRESH RATE	38400 Hz
INTENSITY CONTROL	8-bit
CONTROL	DMX 512A + RDM (through Mozart PSU)
DMX CHANNELS	3-48
OPERATING VOLTAGE	48 VDC
POWER CONSUMPTION	20W
CONTROL/POWER CONNECTORS	In/Out - Amphenol M12
COOLING	Passive
OPERATING TEMPERATURE	-20 °C - +40 °C
IP RATING	IP54
FIXING	Adjustable yoke
UNIT DIMENSIONS (WxHxD)	118 x 118 x 31 mm
WEIGHT	0,565 kg

DIMENSIONS



Mozart