

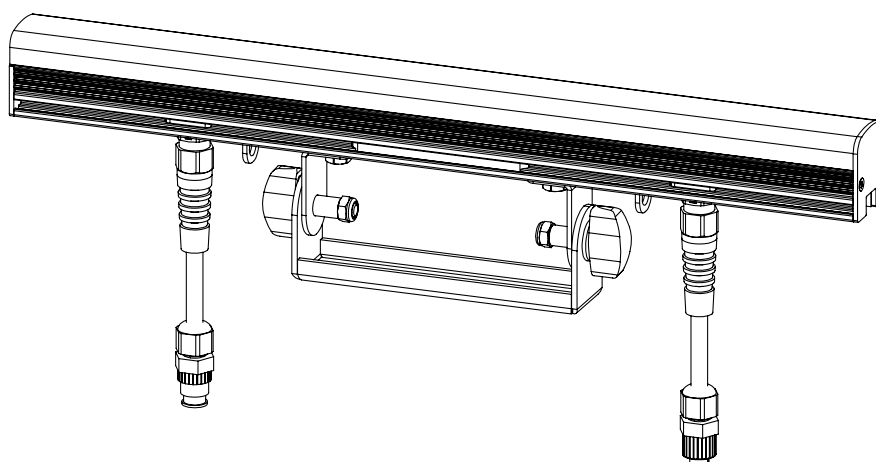
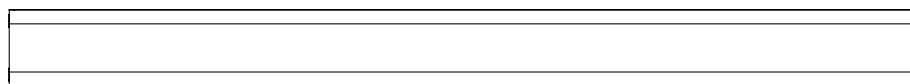
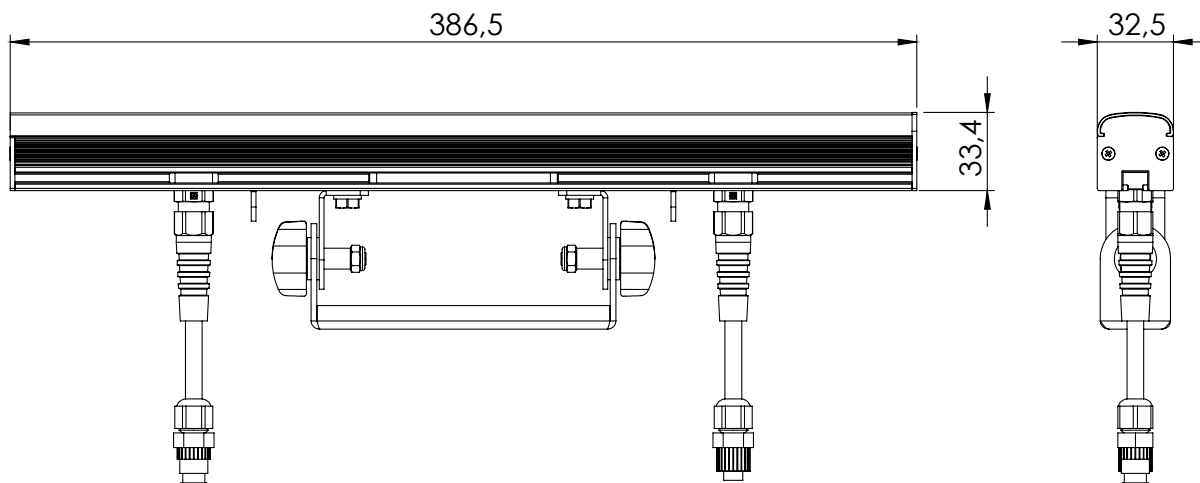


The Mozart LR is an extremely versatile, creative pixel-mapping and decorative lighting tool that can be placed almost anywhere. Blazing fast (38,400Hz), with Cree™ LEDs, Mozarts are ideal for high-speed photography and video.

LIGHT SOURCE	64 CREE LEDs
PIXELS PER FIXTURE	1, 4, 16
BEAM SPREAD	120°
COLORS	R, G, B
AVERAGE COLOR WAVELENGTH	(Red: 625 nm, Green: 530 nm, Blue: 460 nm)
REFRESH RATE	38400 Hz
INTENSITY CONTROL	8-bit
CONTROL	DMX 512A + RDM (through Mozart PSU)
DMX CHANNELS	3-48
OPERATING VOLTAGE	48 VDC
POWER CONSUMPTION	20W
CONTROL/POWER CONNECTORS	In/Out - Amphenol M12
COOLING	Passive
OPERATING TEMPERATURE	-20 °C - +40 °C
IP RATING	IP40
FIXING	Adjustable yoke
UNIT DIMENSIONS (WxHxD)	386,5 x 32,5 x 33,4 mm
WEIGHT	0,73 kg

# Mozart LR

## DIMENSIONS



Mozart LR