

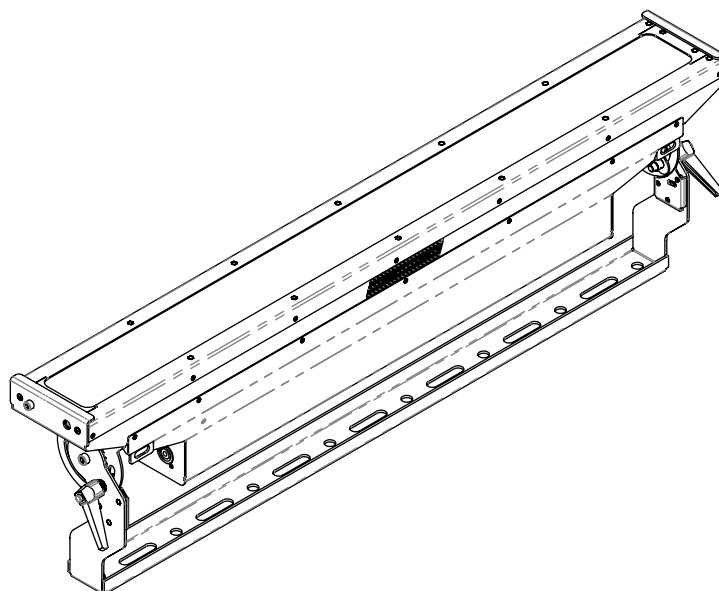
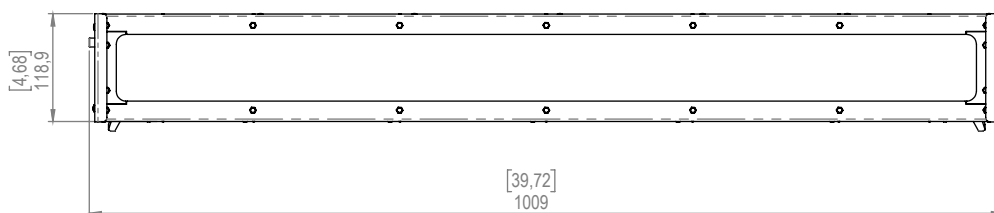
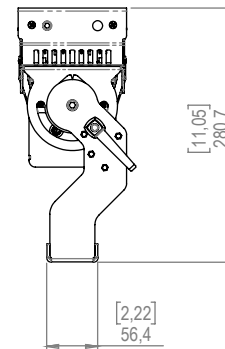
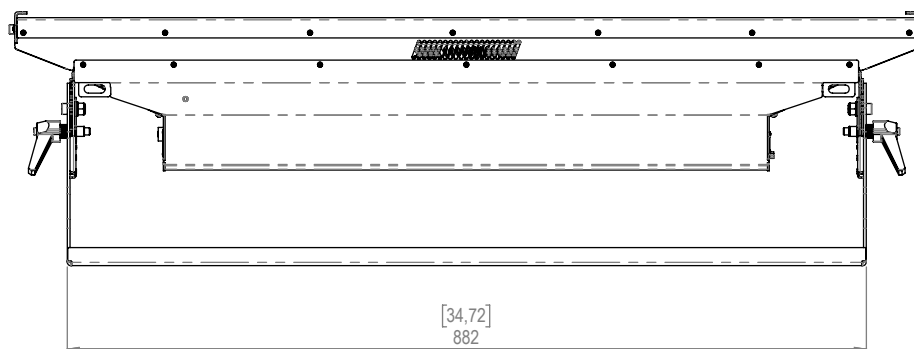


MultiFlash LR offers Over 1000-Watt brightness (in Turbo Mode) and saturated colors with Instantaneous RGBW colour mixing and 1200Hz refresh rate for smooth on-camera dimming. 12 controllable sections, quiet operation for stage and studio, and simultaneous colour wash and strobe in one fixture makes MultiFlash LR a versatile and powerful package.

# MultiFlash LR

LIGHT SOURCE	108 CREE LEDs
PIXELS PER FIXTURE	1, 2, 3, 4, 6, 12
BEAM SPREAD	20°, 36°, 54°
COLORS	R, G, B, W
AVERAGE COLOR WAVELENGTH	(Red: 625 nm, Green: 530 nm, Blue: 460 nm) White >5700K
REFRESH RATE	1200 Hz
INTENSITY CONTROL	8-bit or 16-bit
CONTROL	DMX 512A + RDM
DMX CHANNELS	3-56
OPERATING VOLTAGE	100-240 VAC 50/60 Hz
POWER CONSUMPTION	1200 W
POWER CONNECTORS	Neutrik PowerCON
FUSE	12A 250V
COOLING	Active
OPERATING TEMPERATURE	-20 °C - +40 °C
IP RATING	IP20
FIXING	Adjustable yoke
UNIT DIMENSIONS (WxHxD)	998 x 118,9 x 175,9 mm
WEIGHT	11 kg

## DIMENSIONS



MultiFlash LR