



Saturated colors with Instantaneous RGBW colour mixing, 1200Hz refresh rate for Smooth on-camera dimming, multiple controllable sections, quiet operation for stage and studio, and simultaneous colour wash and strobe in one fixture - all the MultiFlash Q+ features in a slim and robust housing.

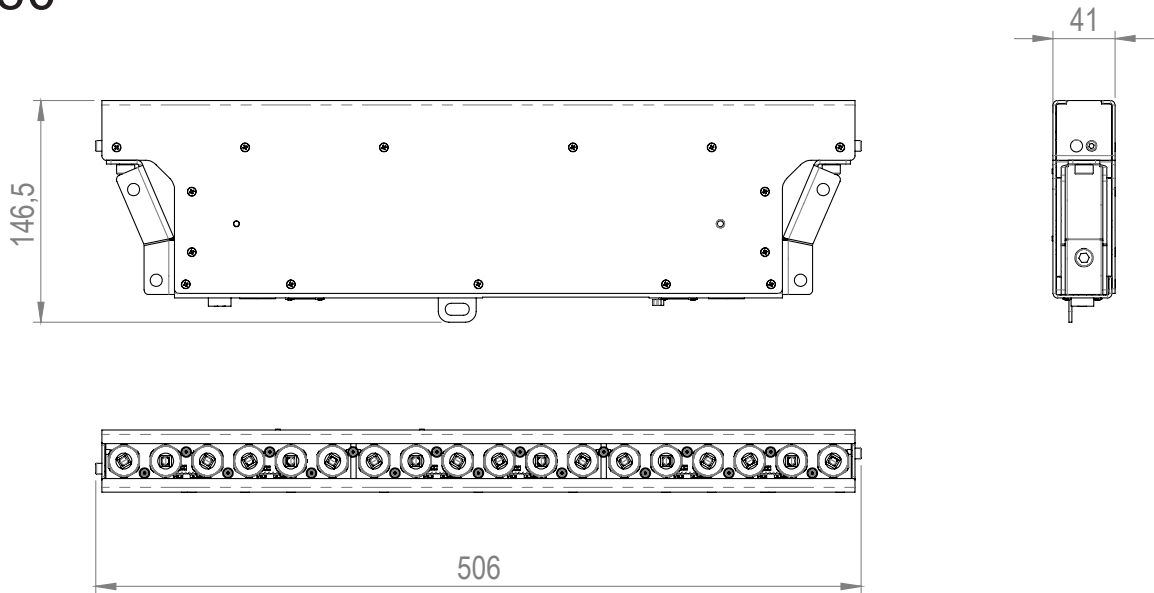
# MultiFlash RZ

	50 cm	100 cm
LIGHT SOURCE	18 CREE LEDs	36 CREE LEDs
PIXELS PER FIXTURE	1, 2, 3, 6	1, 2, 3, 6, 12
BEAM SPREAD	20°, 36°, 54°	
COLORS	R, G, B, W	
AVERAGE COLOR WAVELENGTH	(Red: 625 nm, Green: 530 nm, Blue: 460 nm) White >5700K	
REFRESH RATE	1200 Hz	
INTENSITY CONTROL	8-bit or 16-bit	
CONTROL	DMX 512A + RDM	
DMX CHANNELS	3-32	3-56
OPERATING VOLTAGE	100-240 VAC 50/60 Hz	
POWER CONSUMPTION	200 W	400 W
POWER CONNECTORS	Neutrik PowerCON	
FUSE	2A 250V	4A 250V
COOLING	Active	
OPERATING TEMPERATURE	-20 °C - +40 °C	
IP RATING	IP20	
FIXING	Adjustable yoke	
UNIT DIMENSIONS (WxHxD)	506 x 41 x 146,5	1006 x 41 x 146,5
WEIGHT	3,7 kg	6,3 kg

# MultiFlash RZ

## DIMENSIONS

50



100

